

POWER AMPLIFIER 1000 WATTS/ 1500 WATTS/ 2000 WATTS



JB1000
JB1500
JB2000

Single Channel Power Amplifiers for paging, background/ foreground music distribution

When reliability and performance are critical, you can count on the JB High Power series to perform consistently. LEDs on the front panel shows the status of the amplifier: power, audio output level and supervised functions. These high- performance units fulfil a wide range of public address requirements at a surprisingly low cost.

Features:

- Rack mount amplifier in 3U height
- 70V, 100V and 4-16 ohm speaker outputs
- Isolated transformer for human safety operation
- Rated power 1000W/1500W/ 2000W
- 5 LED indicator for status display
- Indications for power, signal, clip, protection and temp
- Reliable protection from overheat, overload, clip & short circuit
- XLR socket and 6.35mm jack for additional mixer or amplifier link
- Built in cooling fans with intelligent startup function

The JB1000 (1000 W), JB1500 (1500 W) and JB2000 (2000 W) Single Channel Power Amplifiers are engineered for high performance with wide frequency response, very low noise and distortion, and excellent output regulation. Outputs include transformer isolated 70 V, 100 V plus a direct low-impedance mode if non-transformer operation is required.

Specifications

Model	JB1000	JB1500	JB2000
Rated Power	1000W	1500W	2000W
Output Mode	4-16 ohms(Ω); 70V/ 100V		
AUX Input	10k ohms(Ω) 0.775V (0 dB), Unbalanced		
Output link	10k ohms(Ω) 0.775V (0 dB), Unbalanced		
Frequency Response	60Hz~15kHz(\pm 3dB)		
THD	<0.5% at 1kHz,1/3 rated power		
S/N	>85 Db		
Cooling	DC 12V FAN		
LED Indicators	POWER, SIGNAL, CLIP, PROTECT, TEMP		
Power supply	AC 220-240V/ 50-60Hz		
Power Consumption	1350W	2000W	3000W
Dimensions	132(H) \times 486(W) \times 483(D)mm 3U		
Packing Size	225(H) \times 610(W) \times 585(D)mm		
Net Weight	27.5Kg	34.0Kg	34.5Kg
Gross Weight	31.5Kg	34.0Kg	38.5Kg

POWER AMPLIFIERS 1000/1500/3000 WATTS



Controls and indicators

Front panel:

- Power on LED
- Normal, Clip, Protect, Signal
- Master volume control

Rear panel:

- 70 V/ 100 V and 4-16 ohm speaker outputs
- XLR socket and 6.35mm jack input
- Direct input for connecting an external mixer or other source

● Rear

JB High Power series is a complete single-channel audio system for music distribution and paging.

Outputs include transformer isolated 70 V and 100 V plus a direct low-impedance mode if non-transformer operation is required.

ARCHITECT'S AND ENGINEER'S SPECIFICATIONS

POWER AMPLIFIERS

JB1000 / JB1500/ JB2000

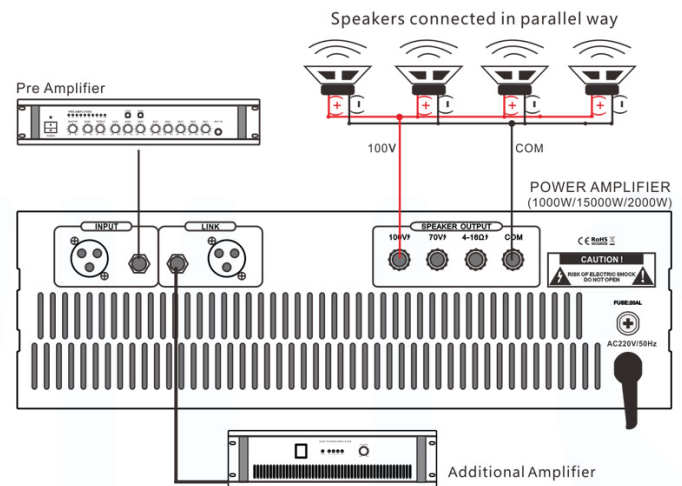
The panel shall be Aluminium alloy and the case black steel plate. Dimensions shall be 132(H)×486(W)×483(D) mm, and weight 25 kg, 27 Kg and 31 kg respectively.

The power amplifier shall operate on 220VAC 50 to 60Hz mains power. Speaker outputs shall be high-impedance and low-impedance, and there shall be a link out to connect to another power amplifier. The amplifier shall take balanced (phone jack and XLR) inputs.

The amplifier shall meet the following performance criteria: Power output shall be 100Watts/ 1500 Watts and 2000 Watts, less than 0.5% THD (at 1kHz, 1/3 rated power). Frequency response shall be 60 Hz to 15 kHz (± 3 dB), with S/N ratio of over 85 dB.

Power, signal level and short protection indicators shall be provided. Master volume control for the single channel shall be provided.

The JB1000/1500/2000 amplifier topology shall be Class AB. Power consumption of JB1000 shall be 1350Watts, JB1500 shall be 2000Watts, JB2000 shall be 2500Watts.



3-pin XLR Connector



The JB High Power Single Zone PA Installation Amplifiers are designed with a 3U height housing with 19 inch rack mounting brackets, and overall 4/8 ohms(Ω) loads and features an industry leading 1 zone 100 volt and 70 volt load solution.

Related products



BS6130



Preamp JB-D3



CS66



100V converter



PS510

As part of awWILLS's ongoing commitment to product development, specifications are subject to change without notice.